

---

# R1 Macro Series



## User Manual

R1-3.68K

R1-4K

R1-5K-A

R1-5K

R1-6K

**RENAC**



# Content

|  |    |
|--|----|
| 1. Introduction.....                                       | 3  |
| 1.1 Introduction .....                                     | 3  |
| 1.2 Applied designations.....                              | 3  |
| 1.3 Important safety information .....                     | 4  |
| 1.4 System sizing .....                                    | 4  |
| 2. Technical description of inverters .....                | 5  |
| 2.1 Mechanical design .....                                | 5  |
| 2.2 Electrical system design .....                         | 5  |
| 2.3 Technical data .....                                   | 6  |
| 2.4 Grid codes.....  | 8  |
| 3. Installation and startup .....                          | 9  |
| 3.1 Package information.....                               | 9  |
| 3.2 Installation environment .....                         | 10 |
| 3.3 Installation position .....                            | 10 |
| 3.4 Mounting procedure .....                               | 11 |
| 3.5 Electrical connection.....                             | 12 |
| 3.5.1 Earth connection .....                               | 12 |
| 3.5.2 Connection to the grid (AC output) .....             | 12 |
| 3.5.3 Connection to PV string (DC input) .....             | 14 |
| 3.5.4 Communication port.....                              | 15 |
| 3.5.4.1 WIFI / 4G / Ethernet communication (Optional)..... | 15 |
| 3.5.4.2 CT or Meter Connection (Optional).....             | 16 |
| 3.5.4.3 DRM connection .....                               | 17 |
| 3.5.4.4 Relay connection .....                             | 17 |
| 3.6 Starting the inverter .....                            | 17 |
| 4. User interface .....                                    | 18 |
| 4.1 Led and key .....                                      | 18 |
| 4.2 LCD display.....                                       | 19 |
| 4.2.1 Language setting .....                               | 20 |
| 4.2.2 Export power (CT) setting.....                       | 21 |
| 4.2.3 Data and time setting.....                           | 21 |
| 4.2.4 PV configuration setting .....                       | 21 |
| 4.2.5 Communication address setting.....                   | 21 |
| 4.2.6 Error logs checking .....                            | 22 |
| 4.2.7 System switch setting.....                           | 22 |
| 4.2.8 Inverter information checking.....                   | 22 |
| 4.2.9 Country safety setting .....                         | 22 |
| 4.2.10 DRMO setting .....                                  | 22 |
| 4.2.11 AFCI setting .....                                  | 23 |
| 4.2.12 Software upgrade .....                              | 23 |
| 4.2.13 New password setting .....                          | 23 |
| 4.2.14 Reset setting.....                                  | 24 |

|   |    |
|---|----|
| 4.3 Self-Test in accordance with CEI 0-21 (Applies to Italy only) ..... | 24 |
| 5. Warranty .....   | 25 |
| 5.1 Warranty claim procedure.....                                       | 25 |
| 5.2 Service after warranty expiration .....                             | 25 |
| 6. Troubleshooting and maintenance .....                                | 26 |
| 6.1 Troubleshooting.....  | 26 |
| 6.2 Maintenance .....   | 27 |
| 6.2.1 Routine maintenance .....   | 27 |

## 1. Introduction

### 1.1 Introduction










This manual describes solar inverters: R1-3.68K / R1-4K / R1-5K-A / R1-5K / R1-6K.

These inverters are transformerless based inverter.

Please read the safety instructions in this manual first. Throughout the manual it is assumed that the reader is familiar with AC and DC installations and knows the rules and regulations for electrical equipment and for connecting it to the utility AC grid. It is especially important to be familiar with the general safety rules for working with electrical equipment.


### 1.2 Applied designations

Throughout the manual important information is shown at different levels depending on the character of the information, as shown here:


|   |  |
|---|--|
|    | Safety information important for human safety. Violation of warnings may result in injury to persons or death.   |
|   | Danger of high voltage and electric shock!   |
|  | Signals danger due to electrical shock and indicates the time (5 minutes) to allow after the inverter has been turned off and disconnected to ensure safety in any installation operation. |
|  | Danger of hot surface!   |
|  | Product should not be disposed as normal household waste.  |
|  | CE Mark  |
|  | ROHS Mark  |
|  | Information important for the protection of property. Violation of this type of information may cause damage and loss of property.   |
|  | Useful additional information or "Tips and Tricks" on specific subjects.   |

### 1.3 Important safety information

Read this before installing, operating or maintaining the inverter.

|   |  |
|---|--|
|  | <p><b>Before installation:</b></p> <p>Check for damage to inverter and packaging. If you are in doubt, please contact your supplier before installing the inverter. Check the voltages of the solar modules and make sure they are within the limits of the inverter specifications before connecting them to the inverter.</p>  |
|   | <p><b>Installation:</b></p> <p>Only trained and authorized personnel familiar with local electrical codes may install the inverter. For optimum safety, please follow the steps described in this manual. Keep in mind that the inverter has two voltage carrying sides, the PV input and the AC grid.</p>   |
|   | <p><b>Disconnecting the inverter:</b></p> <p>Always disconnect the AC line first! Afterwards disconnect the PV lines. Note that the inverter can still be charged with very high voltages at hazardous levels even when it is disconnected from grid and solar modules. Wait at least 5 minutes, before proceeding, after having disconnected from grid and PV panels.</p> |
|   | <p><b>Operating the inverter:</b></p> <p>Before connecting the AC grid to the inverter, make sure that the installation cover is mounted again. The inverter must not be open during operation.</p>  |
|   | <p><b>Maintenance and modification:</b></p> <p>Only authorized personnel are allowed to repair or modify the inverter. To ensure optimum safety for user and environment, only the original spare parts available from your supplier should be used.</p>   |
|   | <p><b>Functional safety parameters:</b></p> <p>Unauthorized changes of functional safety parameters may cause injury or accidents to people or inverter. Additionally it will lead to the cancelling of all inverter operating approval certificates.</p>  |

### 1.4 System sizing

|   |   |
|---|---|
|  | <p>When dimensioning a photovoltaic system, it must be ensured that the open circuit voltage of the PV string never exceeds the maximum permissible input voltage of 600VDC. The PV string open circuit voltage during parallel string operation is 550V. Higher voltages may result in permanent damage to the inverter.</p> |
|---|---|

The selection of PV string output should be based on the optimum utilization of the invested capital compared to the expected annual energy yield from the system. This optimization depends on local weather conditions and should be considered in each individual case.

The inverter incorporates an input power limiting device which automatically keeps the power at levels that are safe for the inverter. The limitation depends mainly on internal and ambient temperatures. The limitation is calculated continuously and always allows the maximum possible amount of energy to be produced.

Please use the tool supplied by Renac Power when dimensioning a photovoltaic system.

## 2. Technical description of inverters

### 2.1 Mechanical design

Figure 2-1 shows the outline dimensions of R1-3.68K / R1-4K / R1-5K-A / R1-5K / R1-6K.

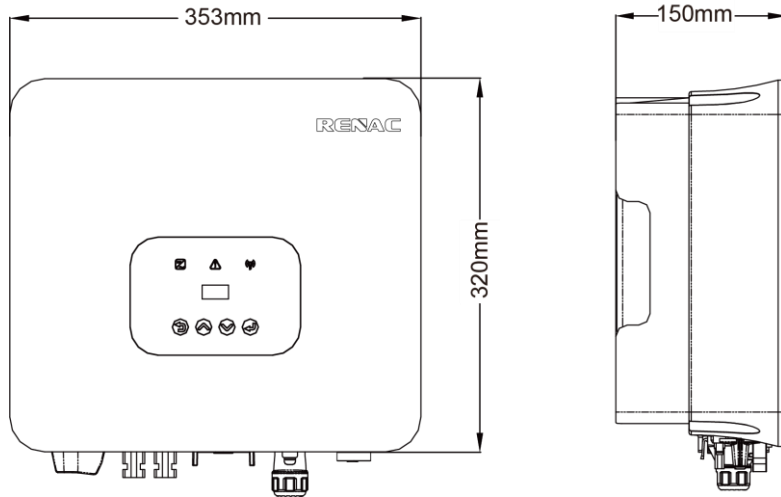


Figure 2-1 Outline dimensions

Figure 2-2 shows the electrical terminals of R1-3.68K / R1-4K / R1-5K-A / R1-5K / R1-6K.

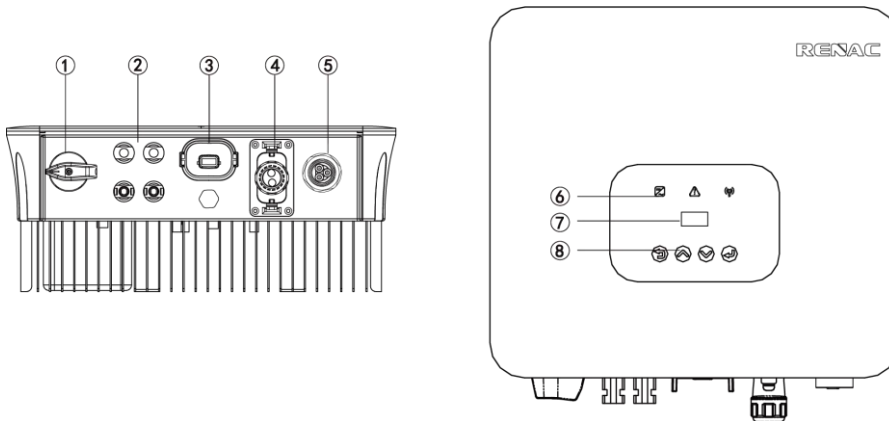


Figure 2-2 Electrical terminals

|   |                    |   |                   |
|---|--------------------|---|-------------------|
| 1 | DC Switch          | 5 | AC terminal       |
| 2 | DC terminal        | 6 | LED (Run / Fault) |
| 3 | Communication port | 7 | OLED              |
| 4 | I / O port         | 8 | Key               |

### 2.2 Electrical system design



For safety reasons, the use of a DC switch is recommended. Between the PV modules and the power modules may be mandatory in some countries.

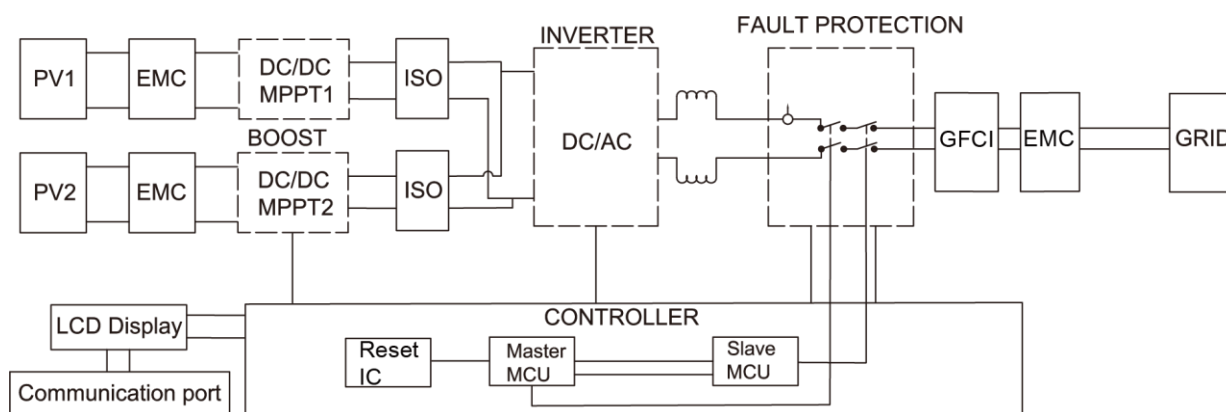


Figure 2-3 Block diagram of the inverter system

## 2.3 Technical data

| Model   | R1-3.68K                         | R1-4K | R1-5K-A | R1-5K | R1-6K |
|---|----------------------------------|-------|---------|-------|-------|
| <b>PV Input Data</b>                              |                                  |       |         |       |       |
| Max. Recommended PV Power [Wp]                    | 5500                             | 6000  | 7500    | 7500  | 9000  |
| Max. PV Power for Single MPPT [Wp]                | 2800                             | 3000  | 3750    | 3750  | 4500  |
| Max. PV Input Voltage [V]                         | 600                              |       |         |       |       |
| MPPT Voltage Range [V]                            | 80 ~ 550                         |       |         |       |       |
| Rated Input Voltage [V]                           | 360                              |       |         |       |       |
| Start-up Voltage [V]                              | 100                              |       |         |       |       |
| No. of MPP Trackers                               | 2                                |       |         |       |       |
| No. of Input Strings per Tracker                  | 1 / 1                            |       |         |       |       |
| Max. PV Input Current [A]                         | 16 / 16                          |       |         |       |       |
| Max. Short-circuit Current [A]                    | 20 / 20                          |       |         |       |       |
| Max. Backfeed Current to Array [A]                | 0                                |       |         |       |       |
| <b>AC Output Data</b>                             |                                  |       |         |       |       |
| Rated AC Power [W]                                | 3680                             | 4000  | 5000    | 5000  | 6000  |
| Max. Apparent Power [VA]                          | 3680                             | 4400  | 5000    | 5500  | 6000  |
| Rated AC Voltage / Range [V]                      | 220 / 230; L / N / PE; 160 ~ 290 |       |         |       |       |
| Grid Frequency / Range [Hz]                       | 50 / 60; ±5                      |       |         |       |       |
| Adjustable Power Factor [cosφ]                    | 0.8 leading ~ 0.8 lagging        |       |         |       |       |
| Output THDi [@Rated Output]                       | < 3%                             |       |         |       |       |
| Max. AC Current [A]                               | 16                               | 20    | 21.7    | 25    | 27.3  |
| Max. Output Fault Current (Peak and Duration) (A) | 70.59                            |       |         |       |       |
| Inrush Current (Peak and                          | 0                                |       |         |       |       |





| Model                                     | R1-3.68K   | R1-4K | R1-5K-A | R1-5K | R1-6K |
|---|--|-------|---------|-------|-------|
| Duration) (A)                             |  |       |         |       |       |
| Maximum Output Overcurrent Protection (A) | 32   | 40    | 43.4    | 50    | 54.6  |
| <b>Efficiency</b>                         |  |       |         |       |       |
| Max. Efficiency                           | 97.9%  | 97.9% | 97.9%   | 97.9% | 97.9% |
| Euro Efficiency                           | 97.2%  | 97.2% | 97.2%   | 97.2% | 97.2% |
| <b>Protection</b>                         |  |       |         |       |       |
| DC Insulation Monitoring                  | Integrated                                       |       |         |       |       |
| Input Reverse Polarity Protection         | Integrated                                       |       |         |       |       |
| Anti-island Protection                    | Integrated                                       |       |         |       |       |
| Residual Current Monitoring               | Integrated                                       |       |         |       |       |
| AC Overcurrent Protection                 | Integrated                                       |       |         |       |       |
| AC Short-circuit Protection               | Integrated                                       |       |         |       |       |
| DC Surge Protection                       | Integrated (Type II)                             |       |         |       |       |
| AC Surge Protection                       | Integrated (Type II)                             |       |         |       |       |
| Arc Fault Circuit Interrupter (AFCI)      | Optional   |       |         |       |       |
| DC Switch                                 | Optional   |       |         |       |       |
| <b>General Data</b>                       |  |       |         |       |       |
| Dimension (W * H * D) [mm]                | 353 * 320 * 150                                  |       |         |       |       |
| Weight [kg]                               | 10   |       |         |       |       |
| Display                                   | LED + OLED                                       |       |         |       |       |
| Communication                             | RS485, USB Upgrade, Optional: WiFi, 4G, Ethernet |       |         |       |       |
| Ambient Temperature Range [°C]            | -25 ~ +60  |       |         |       |       |
| Relative Humidity                         | 0 ~ 100%   |       |         |       |       |
| Operating Altitude [m]                    | ≤ 2000   |       |         |       |       |
| Night Self-consumption [W]                | < 1  |       |         |       |       |
| Topology                                  | Transformerless                                  |       |         |       |       |
| Cooling                                   | Natural  |       |         |       |       |
| Ingress Protection                        | IP65   |       |         |       |       |
| Pollution Degree                          | III  |       |         |       |       |
| Overvoltage Category                      | DC II / AC III                                   |       |         |       |       |
| Protective Class                          | I  |       |         |       |       |
| Noise [dB]                                | < 25   |       |         |       |       |
| <b>Certifications &amp; Standards</b>     |  |       |         |       |       |
| Grid Regulation                           | VDE 0126-1-1, ORDINANCE No.140, G98/G99          |       |         |       |       |
| Safety Regulation                         | IEC 62109-1, IEC 62109-2, EN 62919-1, EN62619-2  |       |         |       |       |
| EMC                                       | EN IEC 61000-6-1, EN IEC 61000-6-3               |       |         |       |       |

## 2.4 Grid codes

| No. | National/Regional Grid Code | Description  |
|-----|-----------------------------|--|
| 0   | VDE4105-DE                  | Germany power Grid, meet Grid standards "VDE-AR-N-4105".                           |
| 1   | CEI0-21                     | Italy power Grid.  |
| 2   | AS4777                      | Australia power Grid.  |
| 3   | RD1699                      | Spain power Grid.  |
| 4   | EN50549                     | Default EN50549 Grid setting.  |
| 5   | EN50549-DK-W                | West Denmark power Grid.   |
| 6   | Greece                      | Greece power Grid.   |
| 7   | EN50549-NL                  | Netherland power Grid, meet Grid standards "EN50438".                              |
| 8   | C10/11                      | Belgium power Grid.  |
| 9   | G99                         | UK power Grid.   |
| 10  | China                       | China power Grid, meet Grid standards "CN-NBT".                                    |
| 11  | VDE0126-FR                  | France power Grid, meet Grid standards "VDE 0126".                                 |
| 12  | EN50549-PL                  | Poland power Grid.   |
| 13  | Brazil-180s                 | Brazil power Grid, connect/reconnect time 180s                                     |
| 14  | VDE0126-DE                  | Germany power Grid, meet Grid standards "VDE 0126".                                |
| 15  | CEI0-16                     | Italy power Grid, meet Grid standards "CEI 0-16".                                  |
| 16  | G98                         | UK power Grid.   |
| 17  | Greece Island               | Greece Island power Grid.  |
| 18  | EN50549-CZ                  | Czech Republic power Grid, meet Grid standards "EN50438Y2007-CZ".                  |
| 19  | EC61727-N                   | India power Grid.  |
| 20  | Korea                       | Korea power Grid.  |
| 21  | EN50549-SW                  | Sweden power Grid.   |
| 22  | China-W                     | China power Grid, Grid voltage range: 160-290V. Grid frequency range: 47-53HZ.     |
| 23  | China-H                     | China power Grid, meet standards "CQC".  |
| 24  | EC61727-IN-W                | India power Grid, meet Grid standards "IEC61727".                                  |
| 25  | Brazil                      | ABNT NBR 16149/16150.  |
| 26  | IEC61727-SL                 | Sri Lanka power Grid, meet Grid standards "IEC61727".                              |
| 27  | Mexico                      | Mexico power Grid, meet Grid standards "IEC61727 60HZ".                            |
| 28  | NZ4777                      | New Zealand power Grid, meet Grid standards "NZ4777".                              |
| 29  | Philippines                 | Philippines power Grid, meet Grid standards "IEC61727 60HZ spec".                  |
| 30  | IEC61727-SL-W               | Sri Lanka power Grid, Grid voltage range: 160-280V, Grid frequency range: 47-52HZ. |
| 31  | PEA                         | Thailand power Grid.   |
| 32  | PEA-W                       | Thailand power Grid, Grid voltage range: 160-280V, Grid frequency range: 47-52HZ.  |
| 33  | IEC61627-VN                 | Vietnam power Grid.  |
| 34  | IEC61627-VN-W               | Vietnam power Grid, Grid voltage range: 160-280V, Grid frequency range: 47-52HZ.   |
| 35  | Tunisia                     | Tunisia.   |

|    |               |   |
|----|---------------|---|
| 36 | MEA           | Thailand power Grid.  |
| 37 | MEA-W         | Thailand power Grid, Grid voltage range: 160-280V, Grid frequency range: 47-52HZ. |
| 38 | Brazil-LV     | 120V 60Hz voltage of grid L to N (R3-10-15K-LV) only others reserved.             |
| 39 | EN50549-DK-E  | East Denmark power Grid.  |
| 40 | Tunisia-W     | Tunisia wide range.   |
| 41 | Chile         | Chile Power Grid.   |
| 42 | Brazil-W      | Brazil power Grid, meet Grid standards "NBT 16150".                               |
| 43 | EN50549-PL-W  | Poland power Grid.  |
| 44 | Brazil-180s-W | Brazil power Grid, meet Grid standards "NBT 16150".                               |
| 45 | UNE217002-ES  | Spain power Grid.   |
| 46 | G98-N         | G98 for Northern Ireland.   |
| 47 | G99-N         | G99 for Northern Ireland.   |
| 48 | EN50549-NW    | Norway-400VLine.  |
| 49 | EN50549-NW-LV | Norway-230V Line-R3-10-15K-LV only others reserved.                               |
| 50 | IEC61727-LV   | 133V 50Hz, low voltage power grid.  |

### 3. Installation and startup

|   |  |
|---|--|
|  | <p><b>WARNING !</b></p> <p>Before installation and maintenance, AC and DC side doesn't carry electricity, but if DC side is just disconnected, capacitance still contains electricity, so please wait for at least 5 minutes to ensure the capacitors completely release the energy and inverter is not electrified.</p> |
|  | <p><b>NOTE !</b></p> <p>Inverters must be installed by qualified person.</p>   |

#### 3.1 Package information

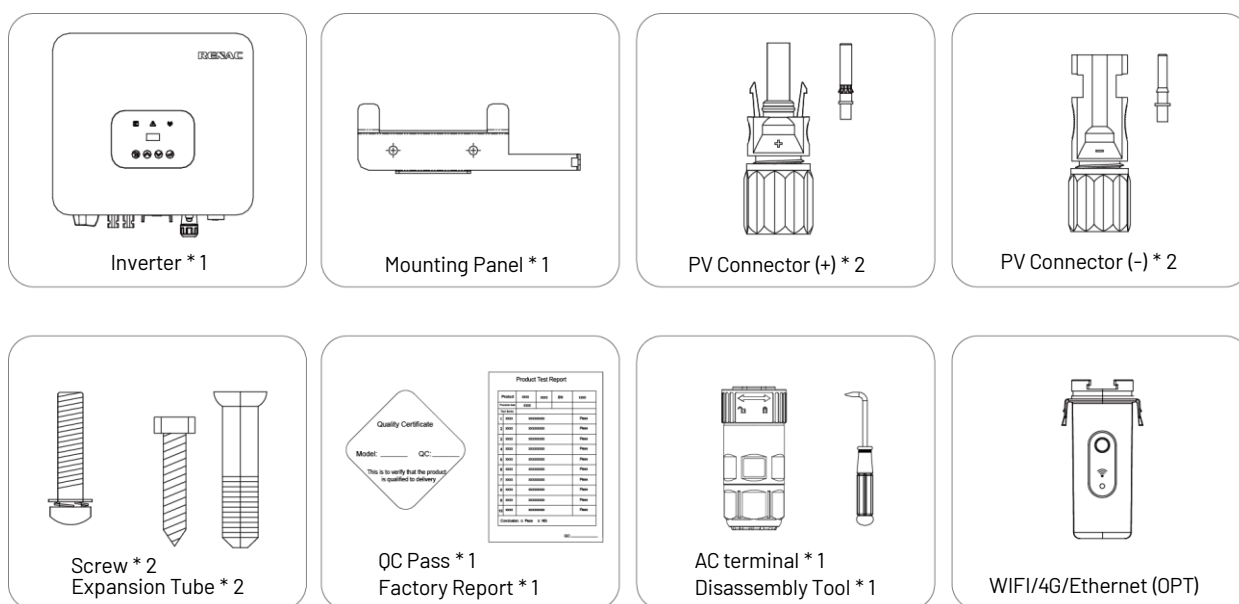


Figure 3-1 Package information

### 3.2 Installation environment

- 1) In order to achieve optimal performance, the ambient temperature should be kept lower than 45°C.
- 2) For the convenience of checking the LCD display and possible maintenance activities, please install the inverter at eye level.
- 3) Inverters should not be installed near inflammable or explosive items. Any strong electro-magnetic equipment should be kept away from installation site.
- 4) Product label and warning symbol shall be clear to read after installation.
- 5) Please do not install inverter under direct sunlight, rain and snow.

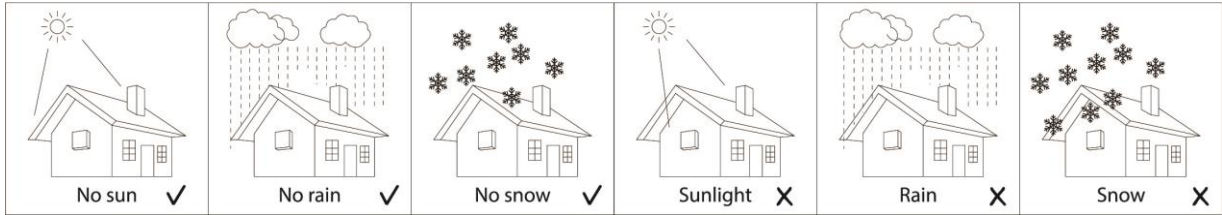



Figure 3-2 Installation environment

### 3.3 Installation position

|   |   |
|---|---|
|  | <ol style="list-style-type: none"> <li>1) The installation method and mounting location must be suitable for the inverter's weight and dimensions.</li> <li>2) Mount on a solid surface.</li> <li>3) Select a well-ventilated place sheltered from direct sun radiation.</li> </ol> |
|---|---|

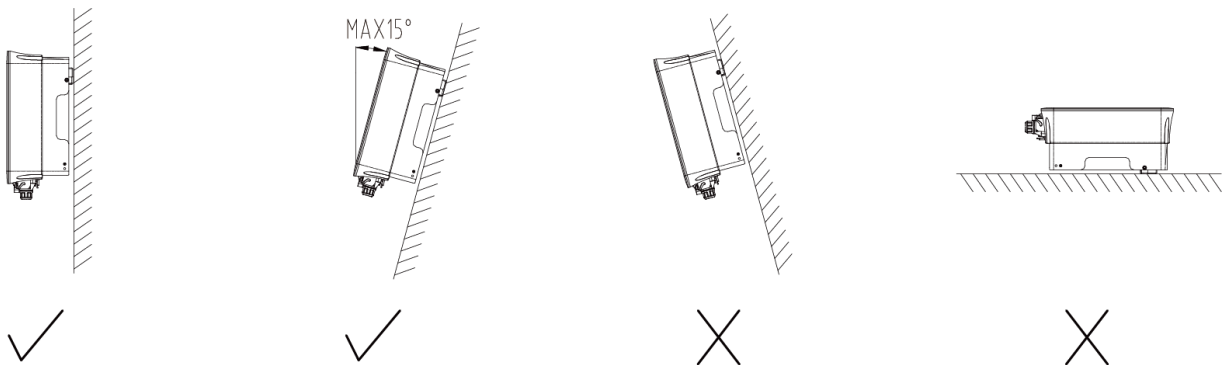


Figure 3-3 Installation position

In consideration of heat dissipation and convenient dismantlement, the minimum clearances around the inverter should be no less than the following value.

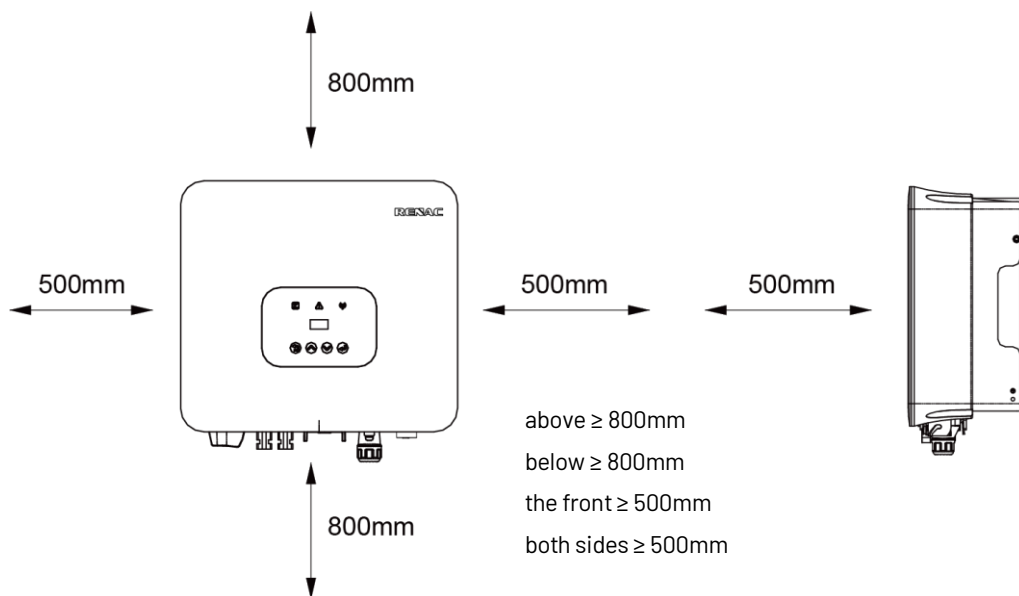


Figure 3-4 Distance required of inverters

### 3.4 Mounting procedure

1. Drill 2 fixed  $\Phi 11$  holes in the wall according to the dimensions.
2. Fix the wall mounting bracket on the wall with 2 expansion bolts in accessory bag.

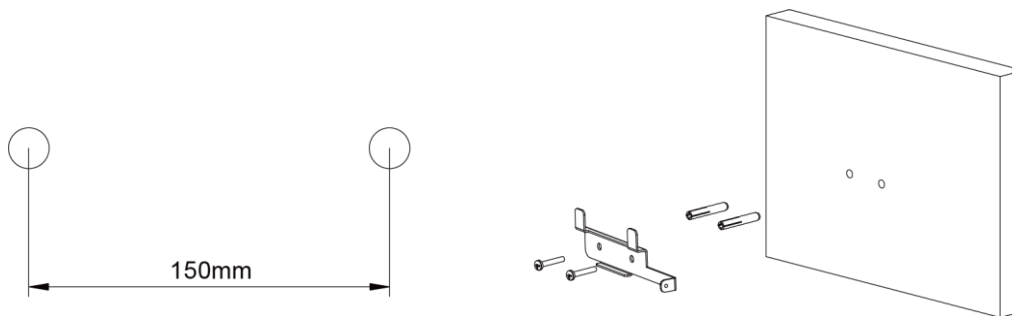


Figure 3-5

3. Place the inverter on the wall-mounted bracket.

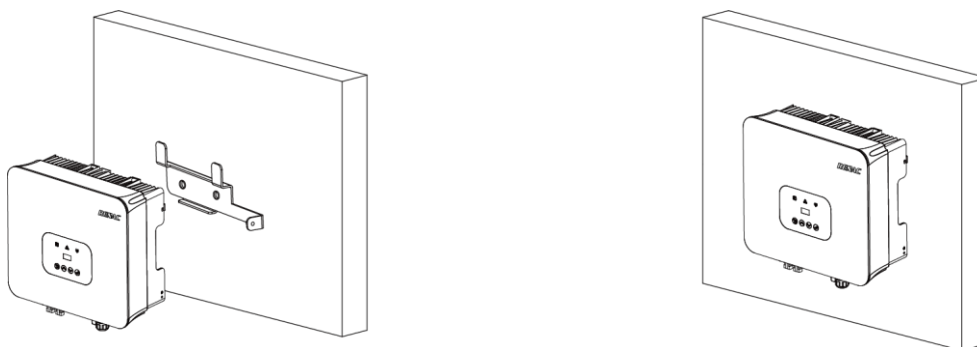


Figure 3-6

4. Install the fix screw to fix the inverter.

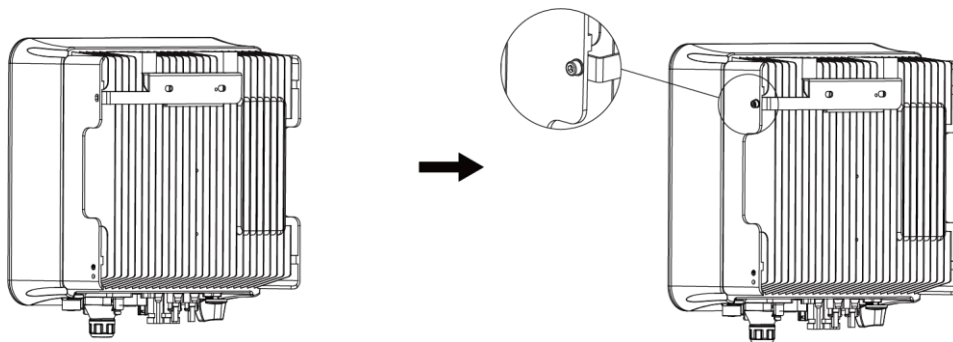


Figure 3-7 Mounting the inverter

### 3.5 Electrical connection

#### 3.5.1 Earth connection

One can additionally earth the inverter enclosure of a second earthed or equipotential bonding, which is required under local regulations. This prevents touch current if the original protective conductor fails.

Cable size: 4mm<sup>2</sup>

##### Connection steps:

- Strip the earthed cable insulation.
- Insert the stripped cable into the ring terminal.
- Clamp the end of the ring terminal.
- Unscrew the screw of the earthed connector.
- Insert the ring terminal on the earthed connector.
- Fix the gasket on the earthed connector.
- Tighten the screw of the earthed connector.

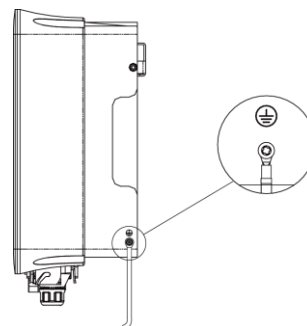


Figure 3-8

#### 3.5.2 Connection to the grid (AC output)



- 1) Add breaker or fuse to AC side, the specification should be more than 1.25 times of rated AC output current.
  - 2) The PE line of inverter should be connected to the earth, make sure the impedance of neutral wire and earth wire less than 10 ohm.
  - 3) Disconnect the breaker or fuse between the inverter and the grid.
  - 4) All inverters incorporate a certified internal Residual Current Device (RCD) in order to protect against possible electrocution and fire hazard in case of a malfunction in the PV array, cables or inverter.
- There are 2 trip thresholds for the RCD as required for certification (IEC 62109-2:2011). The default value for electrocution protection is 30mA, and for slow rising current is 300mA.

Connect the inverter to the grid as follows:

1. Strip off L/N/PE cables.

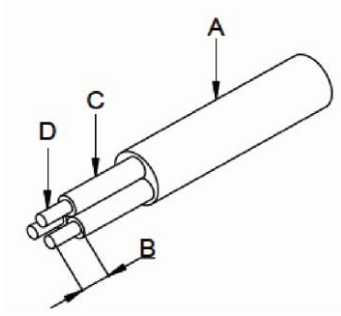


Figure 3-9 Strip off PE/N/L cables

| No. | Description                | Remark                        |
|-----|----------------------------|-------------------------------|
| A   | Protective layer           | Diameter ranges : 11.5-13.5mm |
| B   | Length of stripped off     | 12mm                          |
| C   | Insulate layer             | 50mm                          |
| D   | Cross section of ac cables | 4 - 6mm <sup>2</sup>          |

2. Crimp the terminals with crimping pliers and Set the parts on the cable. Insert the terminal holes in sequence.

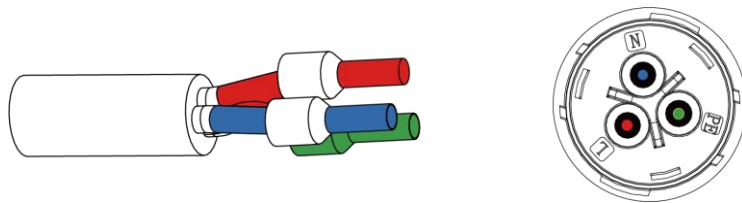


Figure 3-10

3. Fully insert the conductors to the corresponding terminal and tighten the screws with the torque 0.8 N.m. Pull cables outward to check whether they are firmly installed.

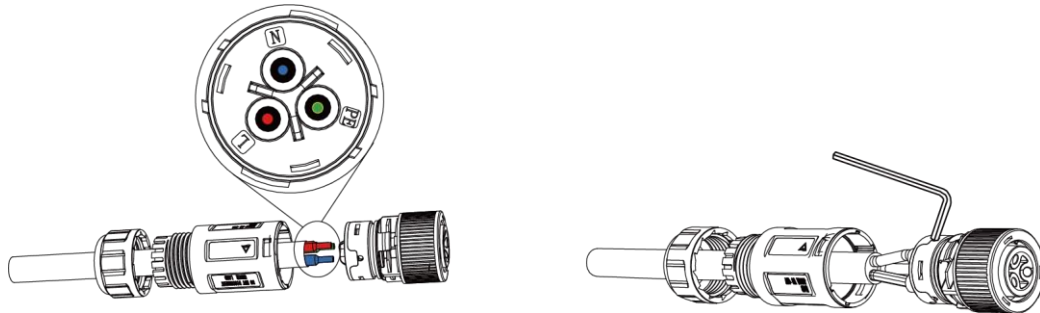


Figure 3-11

4. Assemble the housing, the terminal block and cable gland (torque 4 N.m-5 N.m). Make sure that the rib of the terminal block and the groove on the housing engage perfectly until a "Click" is heard or felt.



Figure 3-12

**Unlock AC terminal instructions**

1. Use the disassembly tool to flip the installation icon to the unlock icon.
2. Rotate the latch as shown.

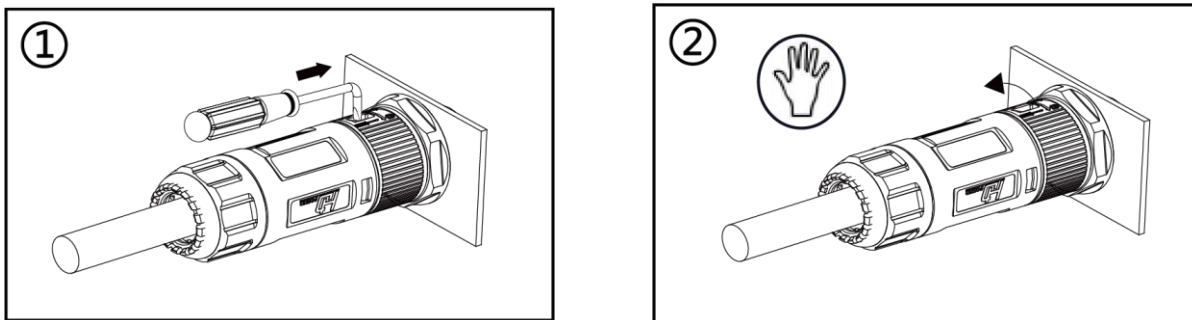


Figure 3-13

3. Remove the female end of the cable to unlock the account.

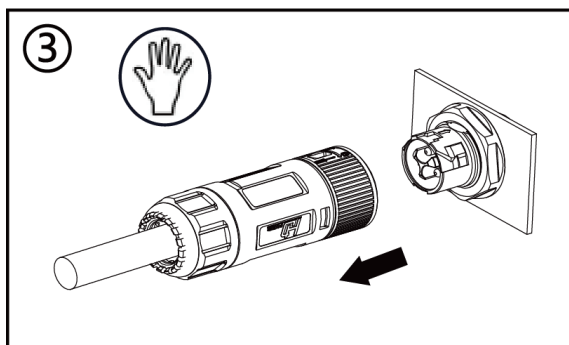


Figure 3-14

**3.5.3 Connection to PV string (DC input)**



- 1) Before connecting PV string, make sure DC switch is turned off.
- 2) Make sure PV string polarity confirms with DC connector, otherwise, it will cause damage to inverter.
- 3) Make sure the maximum open circuit voltage (Voc) of each PV string does not exceed the inverter input voltage  $V_{max}$  under any condition.
- 4) Do not connect positive or negative pole of PV string to earth wire. Otherwise, it will cause damage to inverter.



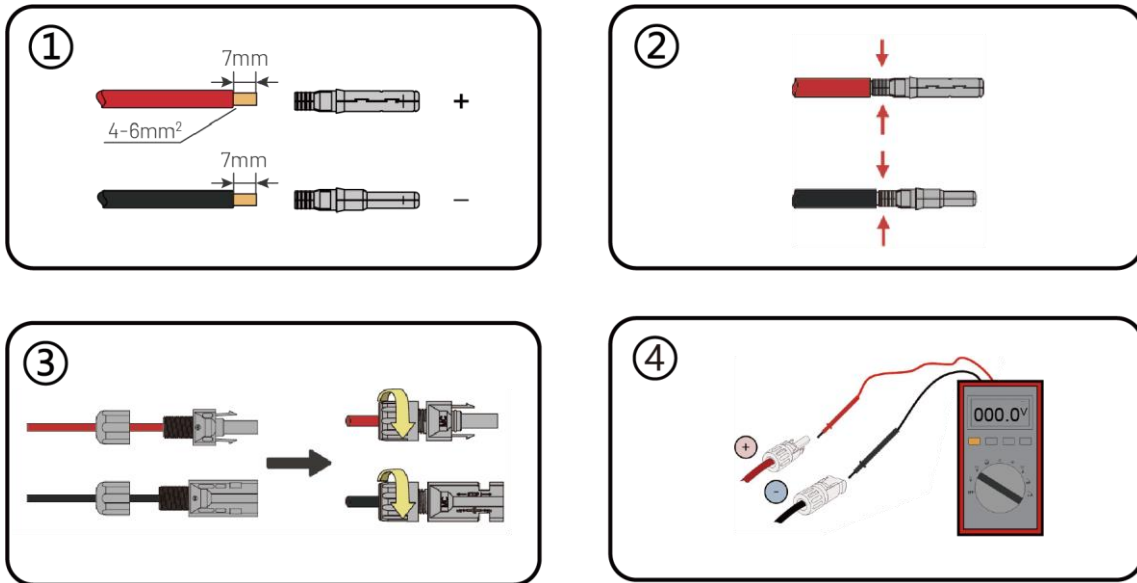


Figure 3-15

### 3.5.4 Communication port

Overview of communication ports:

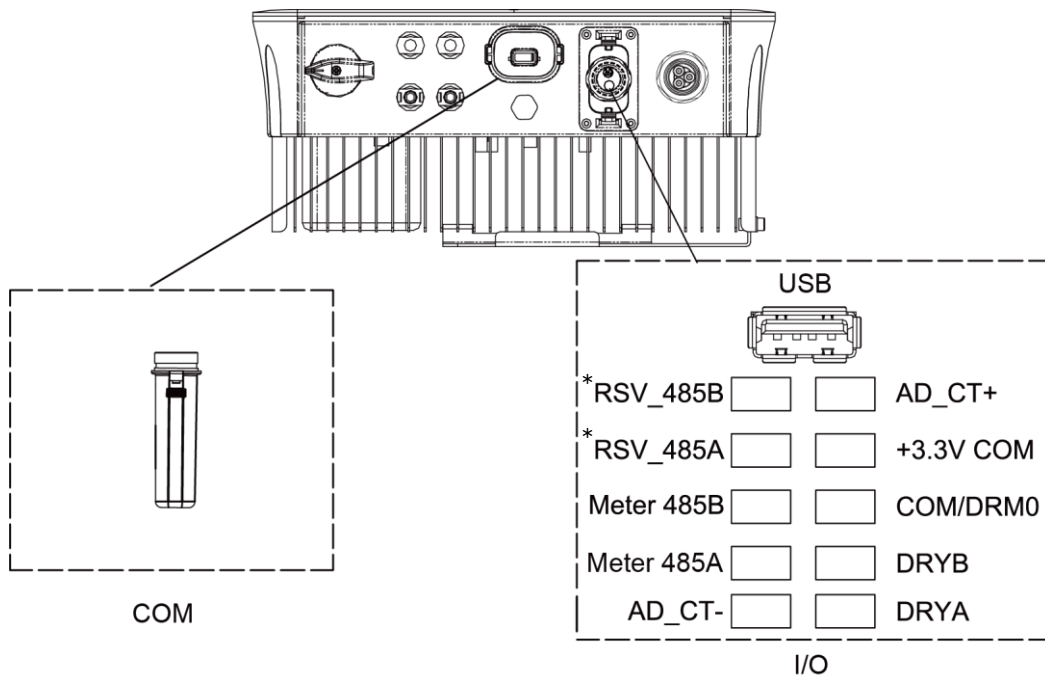


Figure 3-16 Communication ports

\*The RSV\_485A and RSV\_485B ports are occupied when the AFCI function of the inverter is enabled.

#### 3.5.4.1 WIFI / 4G / Ethernet communication (Optional)

Connect the WIFI / 4G / Ethernet module produced by manufacturer to the COM port of inverter. After successful connection, information such as power generation and running state of the inverter can be viewed via the App on the phone. The details please refer to the WIFI / 4G / Ethernet module user manual.

The block diagram of the WIFI / 4G / Ethernet communication system is as follows:

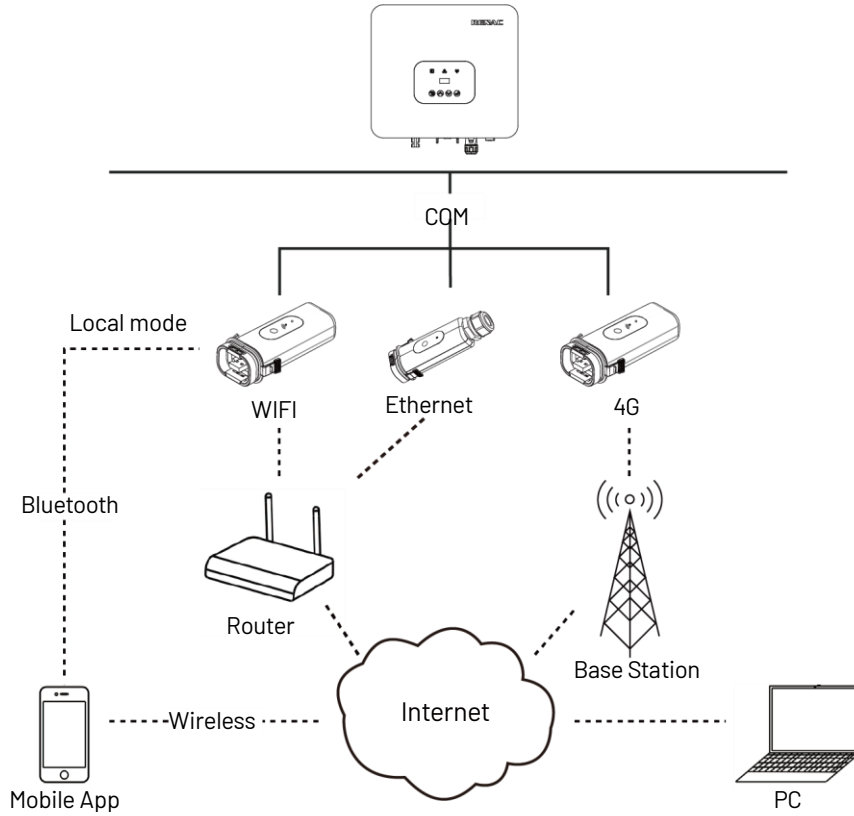


Figure 3-17

### 3.5.4.2 CT or Meter Connection (Optional)

The inverter is equipped with the feed-in power limit function, and the communication port on inverter is "CT/Meter" (Figure 3-18, Figure 3-19), below is the method of connecting the CT / Meter in system. Please note that the CT direction must be facing to the load and inverter, and the CT must be connected to the fire line.

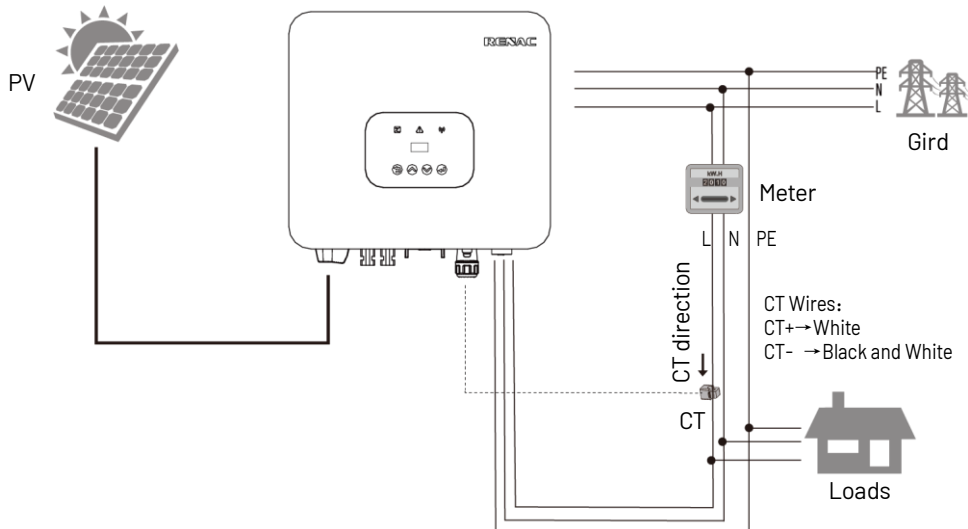


Figure 3-18

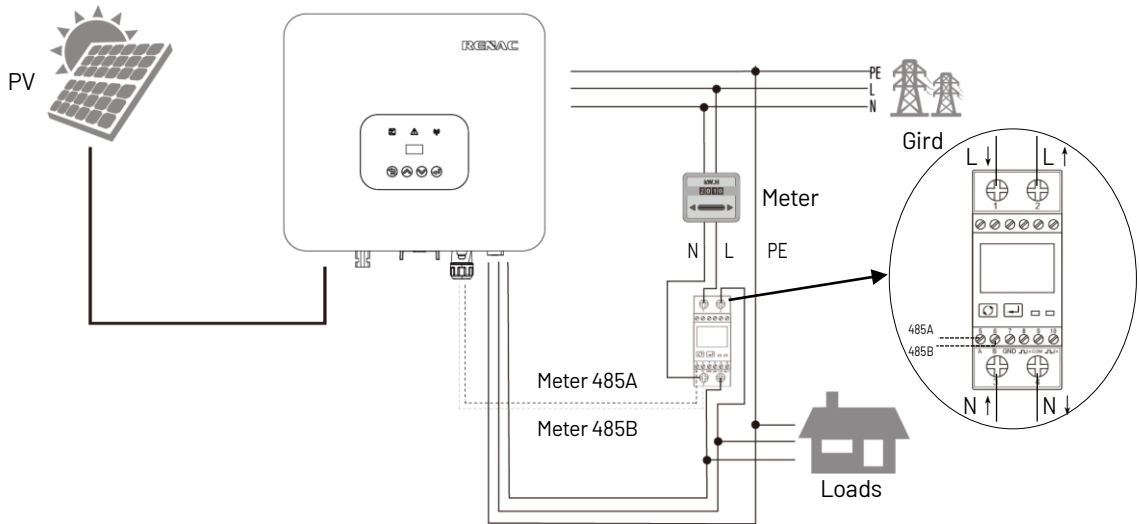


Figure 3-19

### 3.5.4.3 DRM connection

The inverter supports the demand response modes as specified in the standard AS/NZS4777. The inverter has integrated a terminal for connecting to a DRED. The details please refer to figure 3-16, and for CEI standard, DRM0 is the DI port.

### 3.5.4.4 Relay connection

The relay can be set to fault alarm output, and user can configure it to be a normal open contact (COM & NO) or a normal close contact (COM & NC). The relay is initially at the NC terminal, and it will trip to another contact when a fault occurs. Use LED indicators or other equipment to indicate whether the inverter is in the faulty state. The following figures show the typical applications of normal open contact and normal close contact:

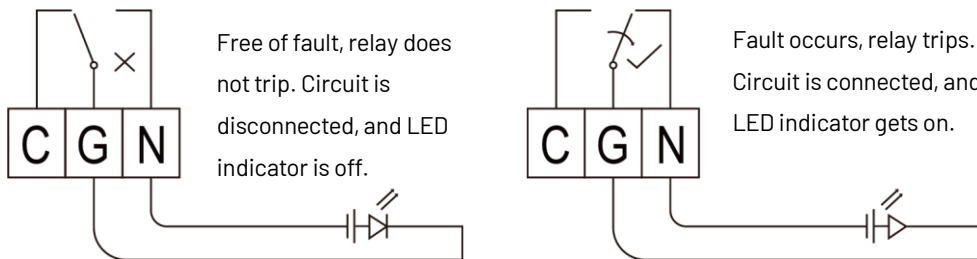


Figure 3-20 Normal open contact

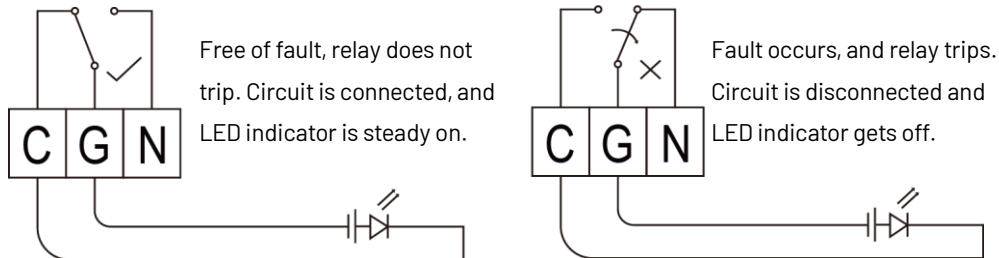


Figure 3-21 Normal close contact

## 3.6 Starting the inverter

Before turning on the inverter, please confirm:

- 1) Three AC wires (PE/L/N) cable correctly connected to the inverter AC side through AC circuit breaker;

- 2) The DC cable is connected correctly to the DC side of the inverter through the DC circuit breaker; please pay attention to the cable connected to the string correctly and its polarity;
- 3) The unused terminals are covered.

Starting the inverter:

- 1) Turn on the AC circuit breaker between the inverter and the grid;
- 2) Turn on the DC switch on the inverter;
- 3) If the PV panels provide enough energy, the power module will work, and the LCD panel will be lit;
- 4) Then the inverter will turn into self-check mode, and the LCD panel will display the remaining time of connection simultaneously;
- 5) If you are starting the inverter for the first time, the inverter needs to be commissioned. For example, language, time, etc.
- 6) After the inverter turns into normal mode, it feeds electrical energy into the grid, and the LCD panel will display the generated electrical energy.

As long as the inverter works, it will automatically track the maximum power point to absorb the maximum energy from solar. When night comes, the irradiance is not strong enough to provide energy, and the inverter will power off automatically. When the next day comes, the input voltage reaches the start value, and it will start again automatically.

## 4. User interface

### 4.1 Led and key

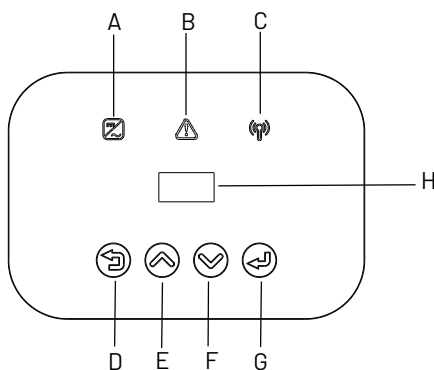
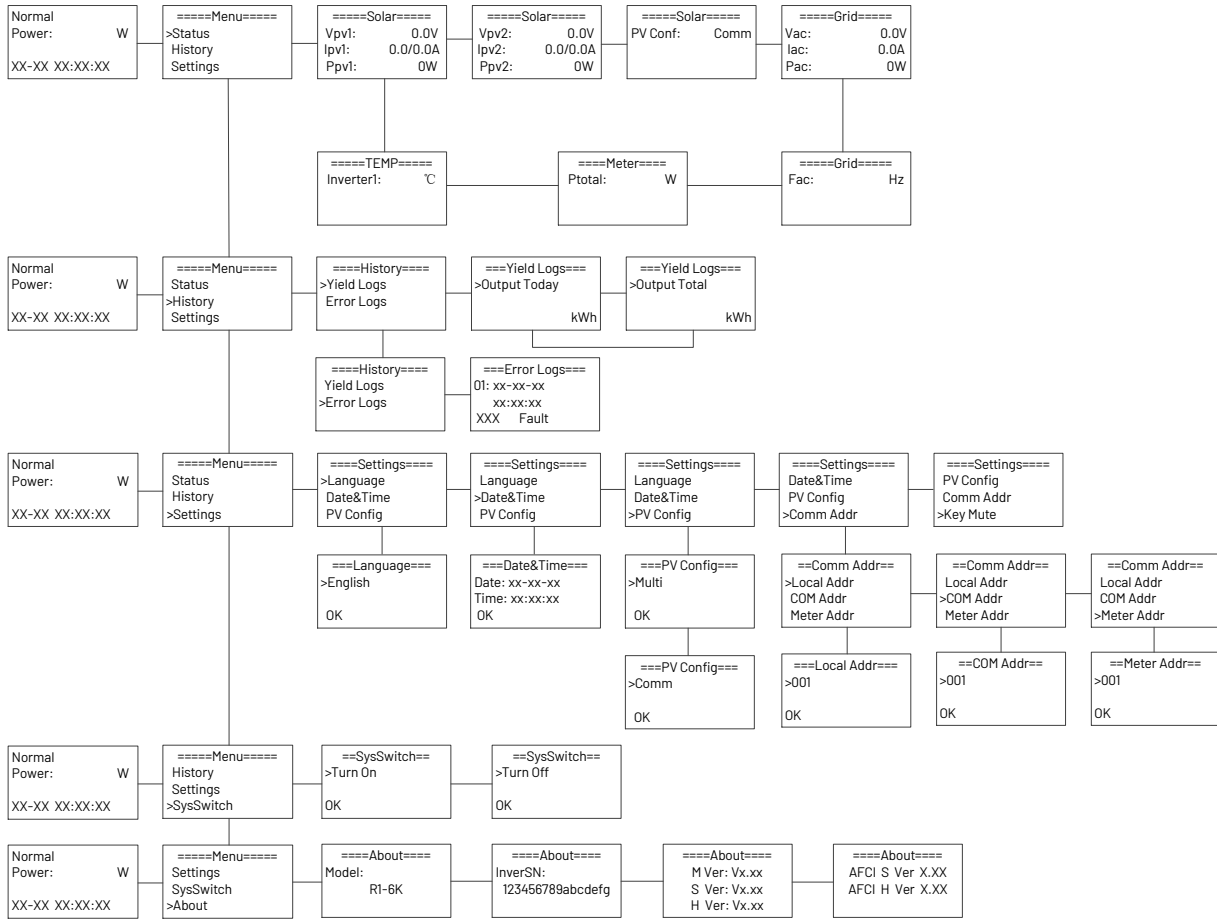


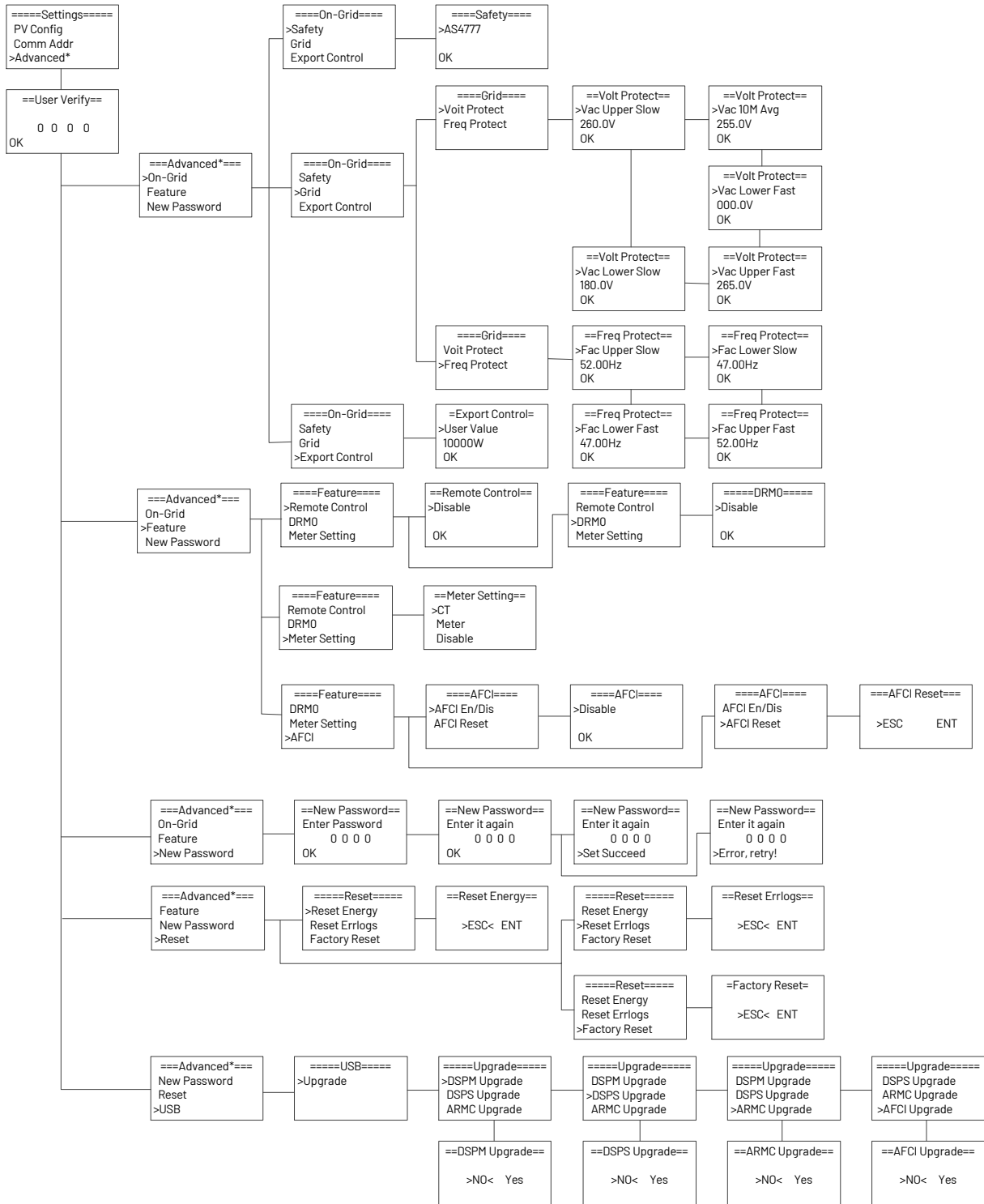
Figure 4-1 LED display

| Object | Name            | Description   |
|--------|-----------------|---|
| A      | Indicator LED   | Green: Normal working Status.                                       |
| B      |                 | Red: Fault.   |
| C      |                 | Yellow: RS485 communication status.                                 |
| D      | Function Button | ESC button: Leave from current interface or function.               |
| E      |                 | Up button: Move cursor to upside or increase value.                 |
| F      |                 | Down button: Move cursor to downside or decrease value.             |
| G      |                 | OK button: Press and hold for 2~3 seconds to confirm the selection. |
| H      | LCD Screen      | Display the information of the inverter                             |

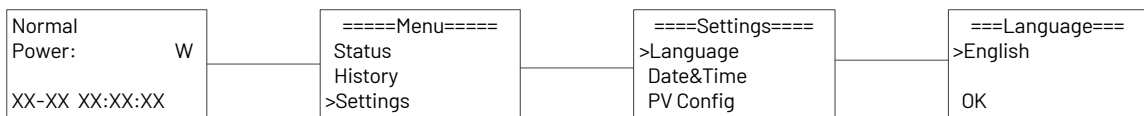
## 4.2 LCD display

Mean Structure:



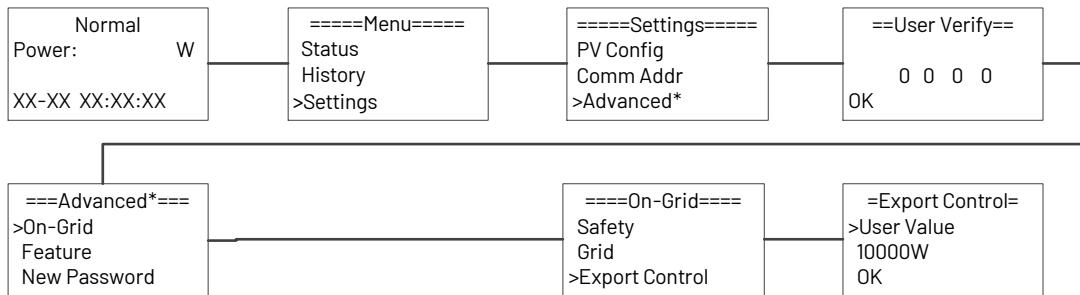


4.2.1 Language setting

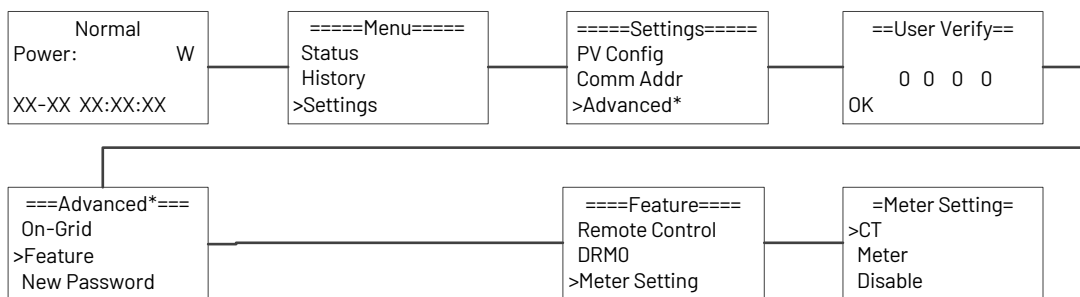


### 4.2.2 Export power (CT) setting

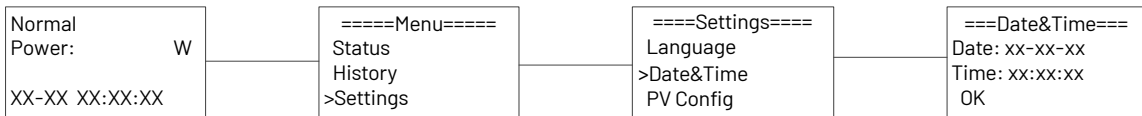
Setting export control: 1



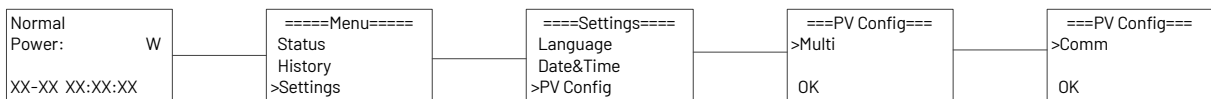
Setting export control: 2



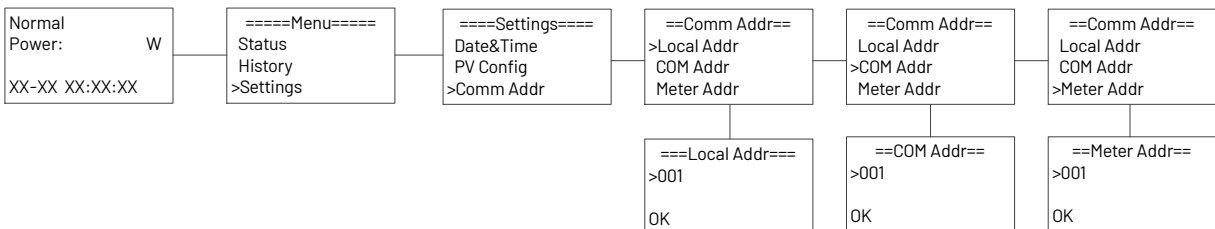
### 4.2.3 Data and time setting



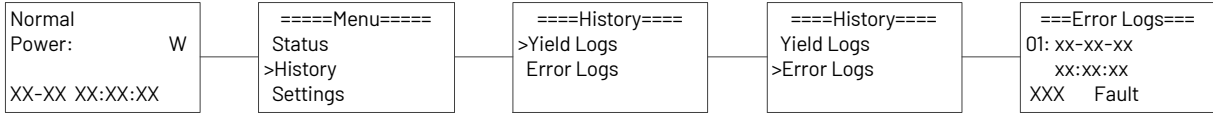
### 4.2.4 PV configuration setting



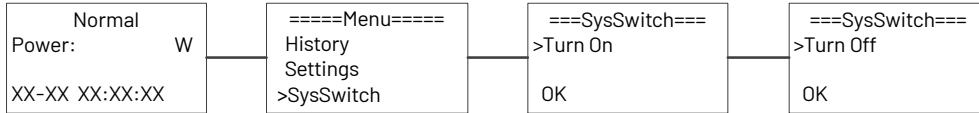
### 4.2.5 Communication address setting



### 4.2.6 Error logs checking

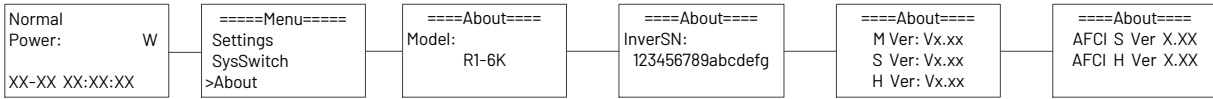


### 4.2.7 System switch setting

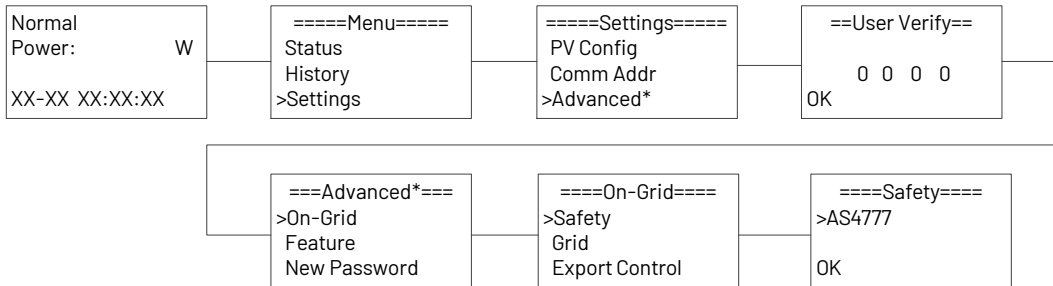


### 4.2.8 Inverter information checking

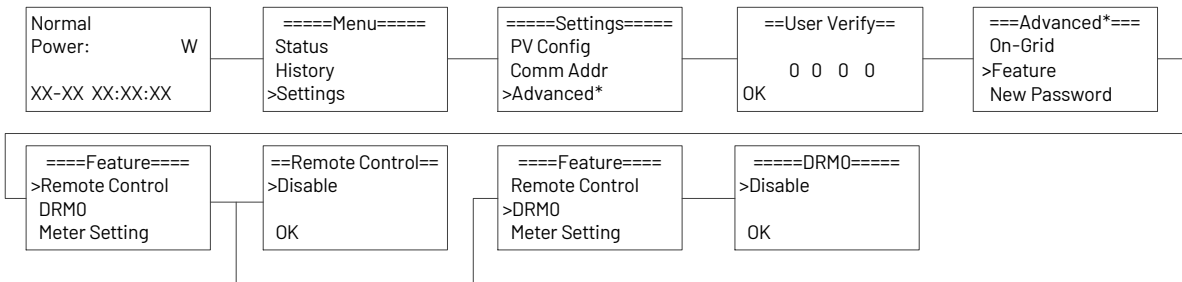
The AFCI hardware and software versions are displayed only when the AFCI function is enabled.



### 4.2.9 Country safety setting



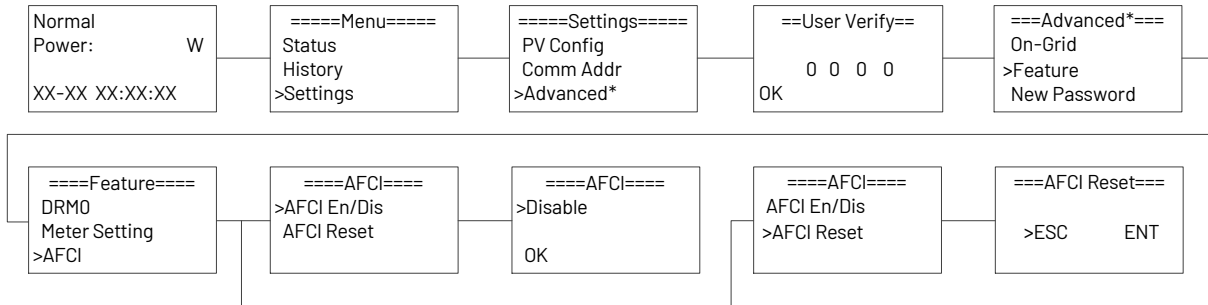
### 4.2.10 DRMO setting





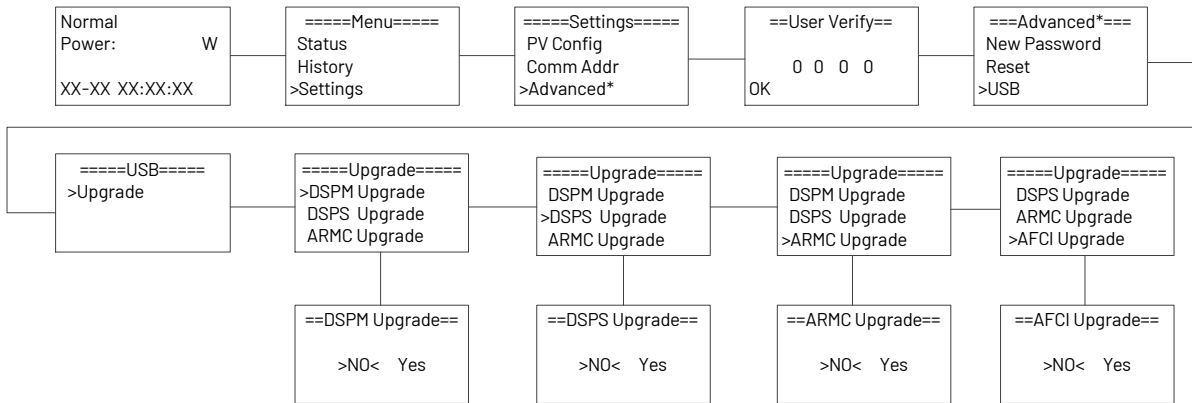
### 4.2.11 AFCI setting

To enable the AFCI function, you need to set it up. When electric arcs occur, the inverter will alarm and lock out to provide protection. You need to manually clear the alarm on the inverter so that it can work properly.

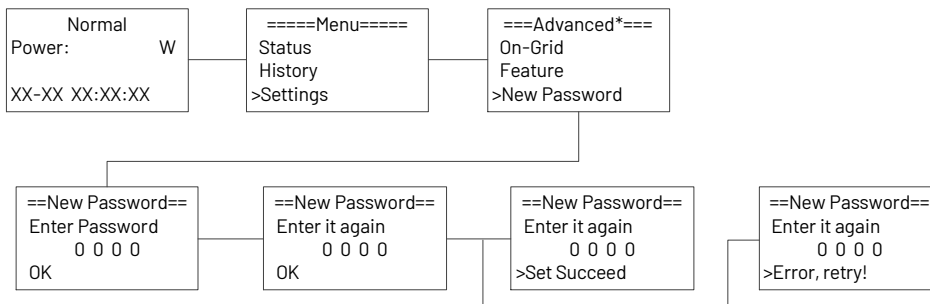


### 4.2.12 Software upgrade

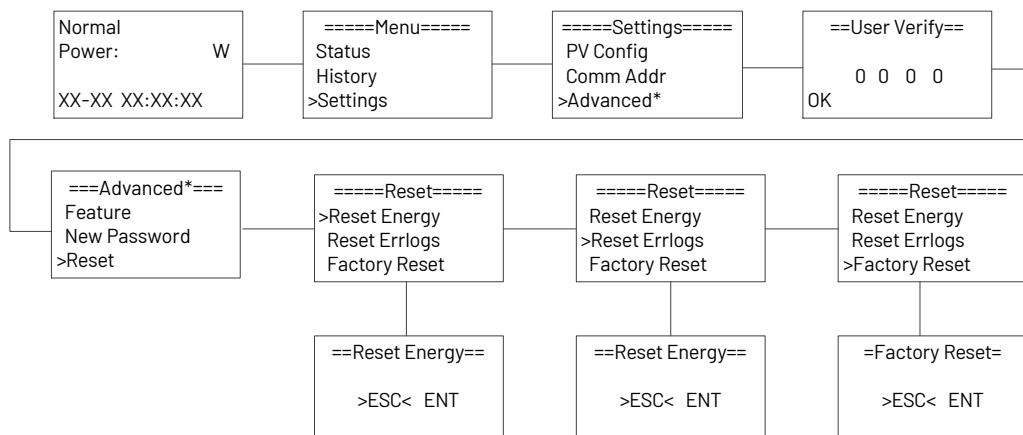
The AFCI can only be upgraded when the AFCI function is enabled.



### 4.2.13 New password setting



#### 4.2.14 Reset setting

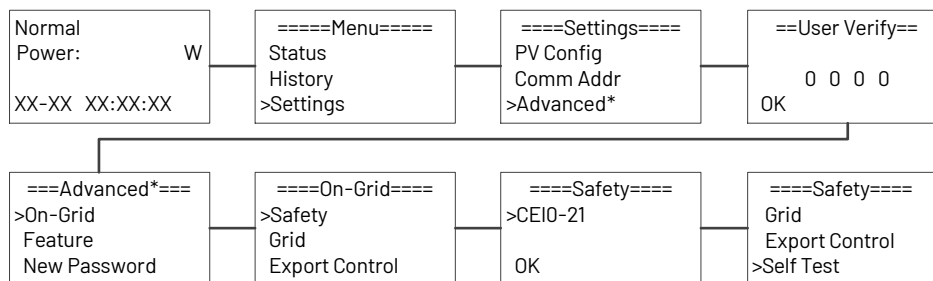


#### 4.3 Self-Test in accordance with CEI 0-21 (Applies to Italy only)

The self-test is only required for inverters, which are commissioned in Italy. The Italian standard requires that all inverters feeding into the utility grid are equipped with a self-test function in accordance with CEI 0-21. Please note that there is a self-test option only when the inverter selects CEI 0-21. During the self-test, the inverter will consecutively check the protection reaction times and values for overvoltage, under voltage, over frequency and under frequency. Self-test function is available at any time. It also allows end user get test reports shown on LCD display.

There are two ways to execute the self-test:

##### Auto-Test from screen:



##### Auto-Test from Solar Admin:

- 1) Download and install "Solar Admin" on laptop.
- 2) Connect inverter to laptop via RS485 port.
- 3) When the inverter and "solar admin" are successfully connected. Click "Sys.setting" - "Other" - "AUTOEST" enter into "Auto-Test" interface.
- 4) Click "Execute" to start the test.
- 5) The inverter will automatically run the test until the screen shows "Test end".
- 6) Click "Read" to read the test value, and click "Export" to export the test report.
- 7) After click "Read" button, interface will show the test results, if the test passes, it will show "PASS" if the test is failed it will show "FAIL".

## Solar Admin

Inverter 8700831201211006 Number of devices: 1 COM  ON  COM1

|                         |  |                |       |  |
|-------------------------|--|----------------|-------|--|
| Overview                | History info   | Sys.setting    |       |  |
| Protection              | Active Power   | Reactive Power | other |  |
| Reset (factory set)     | Italy Autotest <input type="button" value="Execute test"/> |                |       |  |
| LVRT settings           |  |                |       |  |
| Grid over vol. derating |  |                |       |  |
| Extension Settings      |  |                |       |  |
| Basic data settings     |  |                |       |  |
| Update (1~3.7K-SS)      |  |                |       |  |
| Update (4~8K-DS)        |  |                |       |  |
| Update (4~15K-DT)       |  |                |       |  |
| Update (10~33K-DT)      |  |                |       |  |
| CEI                     |  |                |       |  |
| AUTOTEST                |  |                |       |  |

| U > (59.S1)                         |         | U >> (59.S2)                        |         | U < (27.S1)                         |         |       |
|-------------------------------------|---------|-------------------------------------|---------|-------------------------------------|---------|-------|
| Threshold Value                     | Reading | Threshold Value                     | Reading | Threshold Value                     | Reading |       |
| Vmax                                | 253.0   | 224.0                               | 264.5   | 230.5                               | 195.5   | 230.2 |
| Trip                                | 2000    | 1987                                | 200     | 199                                 | 1500    | 1486  |
| <input type="button" value="Pass"/> |         | <input type="button" value="Pass"/> |         | <input type="button" value="Pass"/> |         |       |

| U << (27.S2)                        |         | F > (81.S1)                         |         | F < (81.S1)                         |         |       |
|-------------------------------------|---------|-------------------------------------|---------|-------------------------------------|---------|-------|
| Threshold Value                     | Reading | Threshold Value                     | Reading | Threshold Value                     | Reading |       |
| Vmin                                | 34.5    | 225.0                               | 50.2    | 50.01                               | 49.8    | 49.94 |
| Trip                                | 200     | 186                                 | 100     | 92                                  | 100     | 92    |
| <input type="button" value="Pass"/> |         | <input type="button" value="Pass"/> |         | <input type="button" value="Pass"/> |         |       |

| F >> (81.S2)                        |         | F << (81.S2)                        |         |       |
|-------------------------------------|---------|-------------------------------------|---------|-------|
| Threshold Value                     | Reading | Threshold Value                     | Reading |       |
| Fmax                                | 51.5    | 51.02                               | 47.50   | 50.03 |
| Trip                                | 100     | 98                                  | 100     | 89    |
| <input type="button" value="Pass"/> |         | <input type="button" value="Pass"/> |         |       |

## 5. Warranty

The standard warranty period for the inverter is 60 months from the date of installation and no more than 66 months (5.5 years from the date of shipment from factory).

### 5.1 Warranty claim procedure

Please report defective device with a brief error description and SN code to our service mail or service hotline for registration. Alternatively, please contact your specific dealer or installer if your unit is defective or faulty. To claim the warranty under the warranty terms of factory, you need to supply us with the following information and documentation regarding the faulty unit:

- 1) Product Model (e.g. R1-6K) and the Serial Number (e.g. 8011A33230803007).
- 2) Copy of the invoice and warranty certificate for the inverter.
- 3) Error message on LCD screen and additional information regarding the fault/error.
- 4) Detailed information about the entire system (modules, circuits, etc.).
- 5) Documentation of previous claim/exchanges (if applicable).

In the case of an exchange, the remainder of the warranty entitlement will be transferred to the replacement device. In this event, you will not receive a new certificate, as this replacement will be noted by factory.

### 5.2 Service after warranty expiration

For products which are out of warranty, factory charges an on-site service fee, parts, labor cost and logistic fee to end-user which can be any/all of:

- 1) On-site attendance fee: Cost of travel and time for the technician in attending on-site;
- 2) Parts: Cost of replacement parts (including any shipping/admin fee that may apply);
- 3) Labor: Labor time fee charged for the technician, who is repairing, maintaining, and installing (hardware or software) and debugging the faulty product;

4) Logistic fee: Cost of delivery, tariff and other derived expense when defective products are sent from user to factory or/ and repaired products are sent from factory to user.

## 6. Troubleshooting and maintenance


### 6.1 Troubleshooting

Once a fault occurs in the inverter, the fault information can be displayed on screen or the App interface. Fault codes and check methods are as follows:

| No. | LCD display      | Possible actions  |
|-----|------------------|---|
| 1   | Grid Lost Fault  | Grid voltage too low.<br><ul style="list-style-type: none"> <li>• System will reconnect if the utility is back to normal.</li> <li>• Or seek help from us, if not go back to normal state.</li> </ul>                                     |
| 2   | Grid Volt Fault  | Grid voltage out of range.<br><ul style="list-style-type: none"> <li>• System will reconnect if the utility is back to normal!</li> <li>• Or seek help from us, if not go back to normal state.</li> </ul>                                |
| 3   | Grid Freq Fault  | Grid frequency out of range.<br><ul style="list-style-type: none"> <li>• System will reconnect if the utility is back to normal.</li> <li>• Or seek help from us, if not go back to normal state.</li> </ul>                              |
| 4   | Vgrid 10M Fault  | The grid voltage is out of range for the last 10 Minutes.<br><ul style="list-style-type: none"> <li>• System will reconnect if the utility is back to normal.</li> <li>• Or seek help from us, if not go back to normal state.</li> </ul> |
| 5   | Inv SW OCP Fault | Disconnect PV, and grid, then reconnect.<br><ul style="list-style-type: none"> <li>• Or seek help from us, if not go back to normal state.</li> </ul>   |
| 6   | DCI OCP Fault    | DC component is out of limit in output current.<br><ul style="list-style-type: none"> <li>• Disconnect PV, grid and battery, then reconnect.</li> <li>• Or seek help from us, if not go back to normal state.</li> </ul>                  |
| 7   | Inv HW OCP Fault | Disconnect PV, and grid, then reconnect.<br><ul style="list-style-type: none"> <li>• Or seek help from us, if not go back to normal state.</li> </ul>   |
| 8   | Bus Volt Fault   | Bus voltage out of range detected by software.<br><ul style="list-style-type: none"> <li>• Disconnect PV and grid, then reconnect.</li> <li>• Or seed help from us, if not go back to normal state.</li> </ul>                            |
| 9   | Iso Check Fault  | The isolation is failed.<br><ul style="list-style-type: none"> <li>• Please check if the insulation of electric wires is damaged.</li> <li>• Wait for a while to check if back to normal.</li> </ul>                                      |
| 10  | GFCI Fault       | The errors are internal faults of the inverter.<br><ul style="list-style-type: none"> <li>• Disconnect PV, and grid, then reconnect.</li> <li>• Or seek help from us, if not go back to normal state.</li> </ul>                          |
| 11  | PV Curt Fault    |   |
| 12  | PV Volt Fault    | The errors are configuration faults of the PV panels.<br><ul style="list-style-type: none"> <li>• Check the configuration of PV panels and cable connections.</li> <li>• Or seek help from us, if not go back to normal state.</li> </ul> |
| 13  | Temp Fault       | The errors are internal faults of the inverter.<br><ul style="list-style-type: none"> <li>• Disconnect PV and grid, then reconnect.</li> </ul>  |
| 14  | HW Bus Ovp Fault |   |

| No. | LCD display      | Possible actions   |
|-----|------------------|--|
| 15  | HW Pv Ocp Fault  | <ul style="list-style-type: none"> <li>• Or seek help from us, if not go back to normal state.</li> </ul>                            |
| 16  | SCI Comm Fault   |  |
| 17  | SPI Comm Fault   |  |
| 18  | Auto test Fault  |  |
| 19  | AD Sample Fault  |  |
| 20  | GFCI HW Fault    |  |
| 21  | Inv EEPROM Fault |  |
| 22  | Pv NegCurt Fault |  |
| 23  | Relay Open       |  |
| 24  | Relay S1 Short   |  |
| 25  | Relay S2 Short   |  |
| 26  | Relay M1 Short   |  |
| 27  | Relay M2 Short   |  |
| 28  | HMI EEPROM Fault |  |
| 29  | Meter Lost Fault | <ul style="list-style-type: none"> <li>• Please check if the meter connection is normal.</li> <li>• Or seek help from us.</li> </ul> |

## 6.2 Maintenance

|   |  |
|---|--|
|  | <p>Risk of inverter damage or personal injury due to incorrect service!</p> <ul style="list-style-type: none"> <li>• Always keep in mind that the inverter is powered by dual sources: PV strings and utility grid.</li> </ul> <p>Before any service work, observe the following procedure.</p> <ul style="list-style-type: none"> <li>• Disconnect the AC circuit breaker and then set the DC load-break switch of the inverter to OFF.</li> <li>• Wait at least 5 minutes for inner capacitors to discharge completely.</li> <li>• Verify that there is no voltage or current before pulling any connector.</li> </ul> |
| <h1>NOTICE</h1>   | <p><b>NOTICE!</b></p> <p>Restart the inverter only after removing the fault that impairs safety performance. As the inverter contains no component parts that can be maintained, never arbitrarily replace any internal components. For any maintenance need, please contact Renac Power. Otherwise, Renac Power shall not be held liable for any damage caused.</p>   |

### 6.2.1 Routine maintenance

| Item         | LCD display   | Period   |
|--------------|---|--|
| System clean | Check the temperature and dust of the inverter.<br>Clean the inverter enclosure if necessary. Check if the air inlet and outlet are normal, Clean the air inlet and outlet if necessary | Six months to a year (- depend on the dust contents in air.) |
| Cable entry  | Check whether the cable entry is insufficiently sealed or the gap is excessively large, and reseal the entry when necessary!  | Once a year  |

|                       |  |                      |
|-----------------------|--|----------------------|
| Electrical Connection | Check whether all cable are firmly in place. Check whether a cable is damaged, especially the part contacting the metal enclosure. | Six months to a year |
|-----------------------|--|----------------------|



User Manual Download Centre [www.renacpower.com](http://www.renacpower.com)  
422-00159-03



**SMART ENERGY FOR BETTER LIFE**

**RENAC**

RENAC POWER TECHNOLOGY CO., LTD.

Block C-12, No. 20 Datong Road, Comprehensive Bonded Zone, Suzhou Hi-Tech District, Suzhou, China

Tel: +86-0512-66677278

[info@renacpower.com](mailto:info@renacpower.com)

[www.renacpower.com](http://www.renacpower.com)